

Oct. 4, 1960

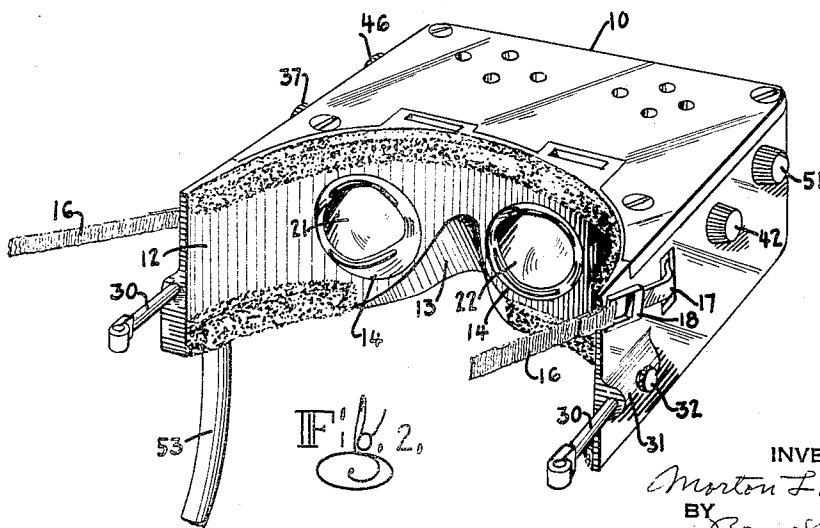
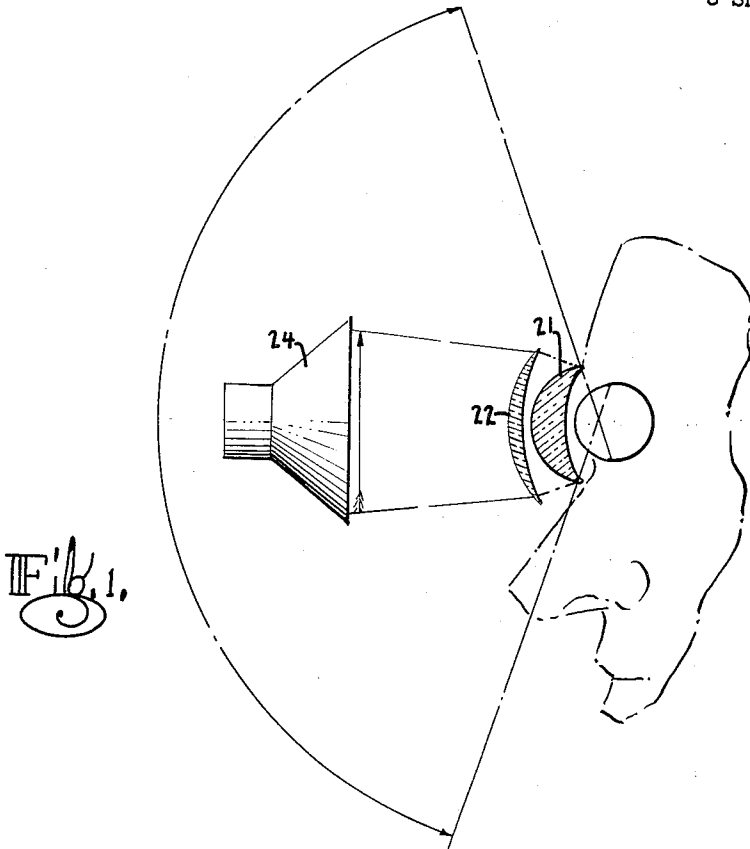
M. L. HEILIG

2,955,156

STEREOSCOPIC-TELEVISION APPARATUS FOR INDIVIDUAL USE

Filed May 24, 1957

3 Sheets-Sheet 1



INVENTOR  
*Morton L. Heilig*  
BY *Bryceward*  
his ATTORNEYS

Oct. 4, 1960

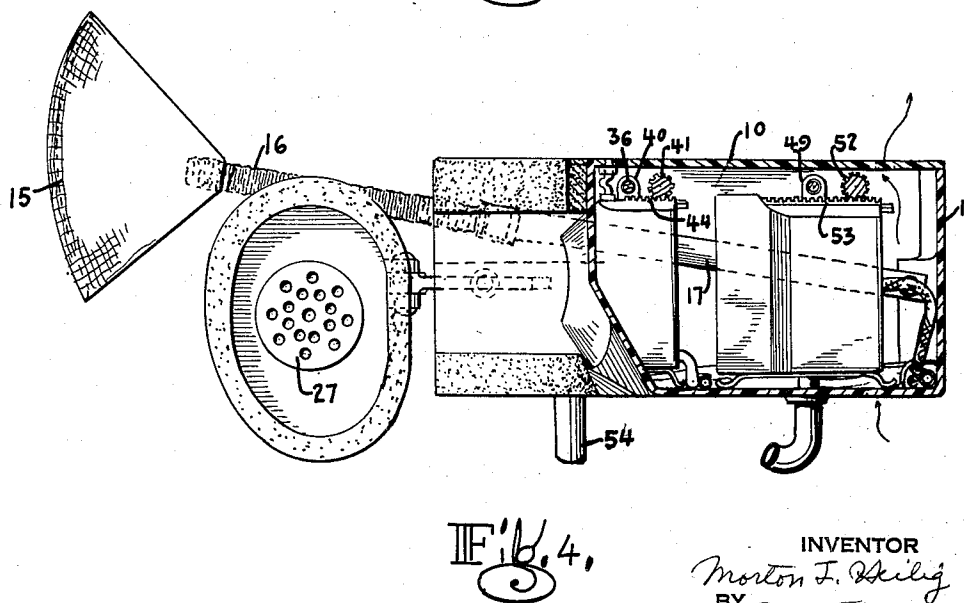
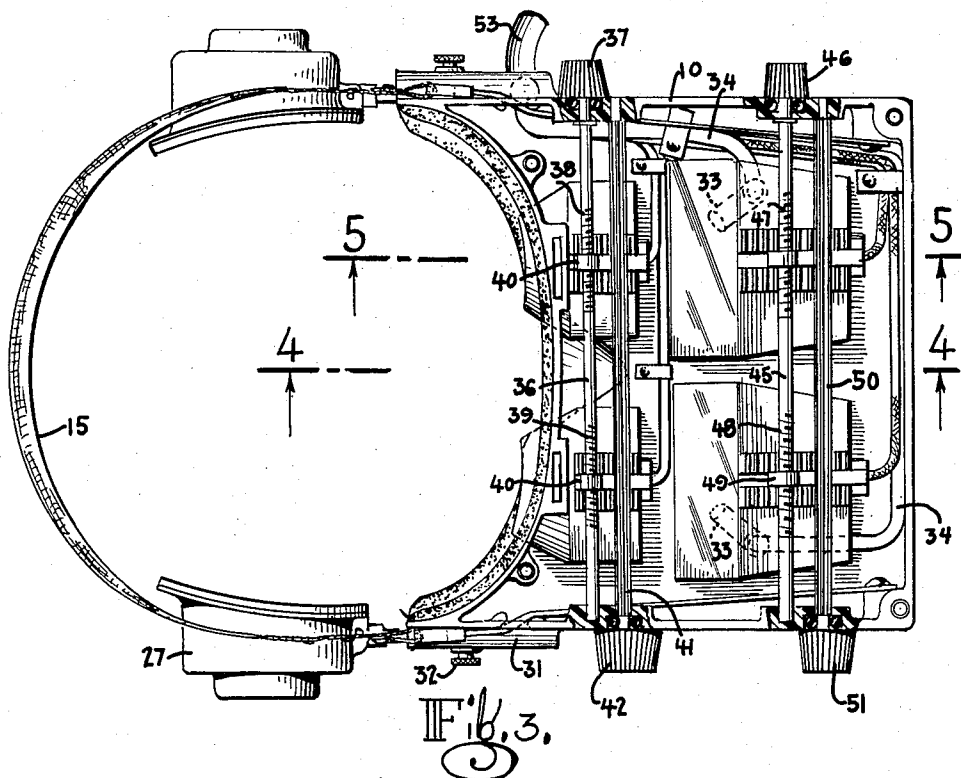
M. L. HEILIG

2,955,156

STEREOSCOPIC-TELEVISION APPARATUS FOR INDIVIDUAL USE

Filed May 24, 1957

3 Sheets-Sheet 2



INVENTOR  
Morton J. Heilig  
BY *Broj Sevard*  
his ATTORNEYS

Oct. 4, 1960

M. L. HEILIG

2,955,156

STEREOSCOPIC-TELEVISION APPARATUS FOR INDIVIDUAL USE

Filed May 24, 1957

3 Sheets-Sheet 3

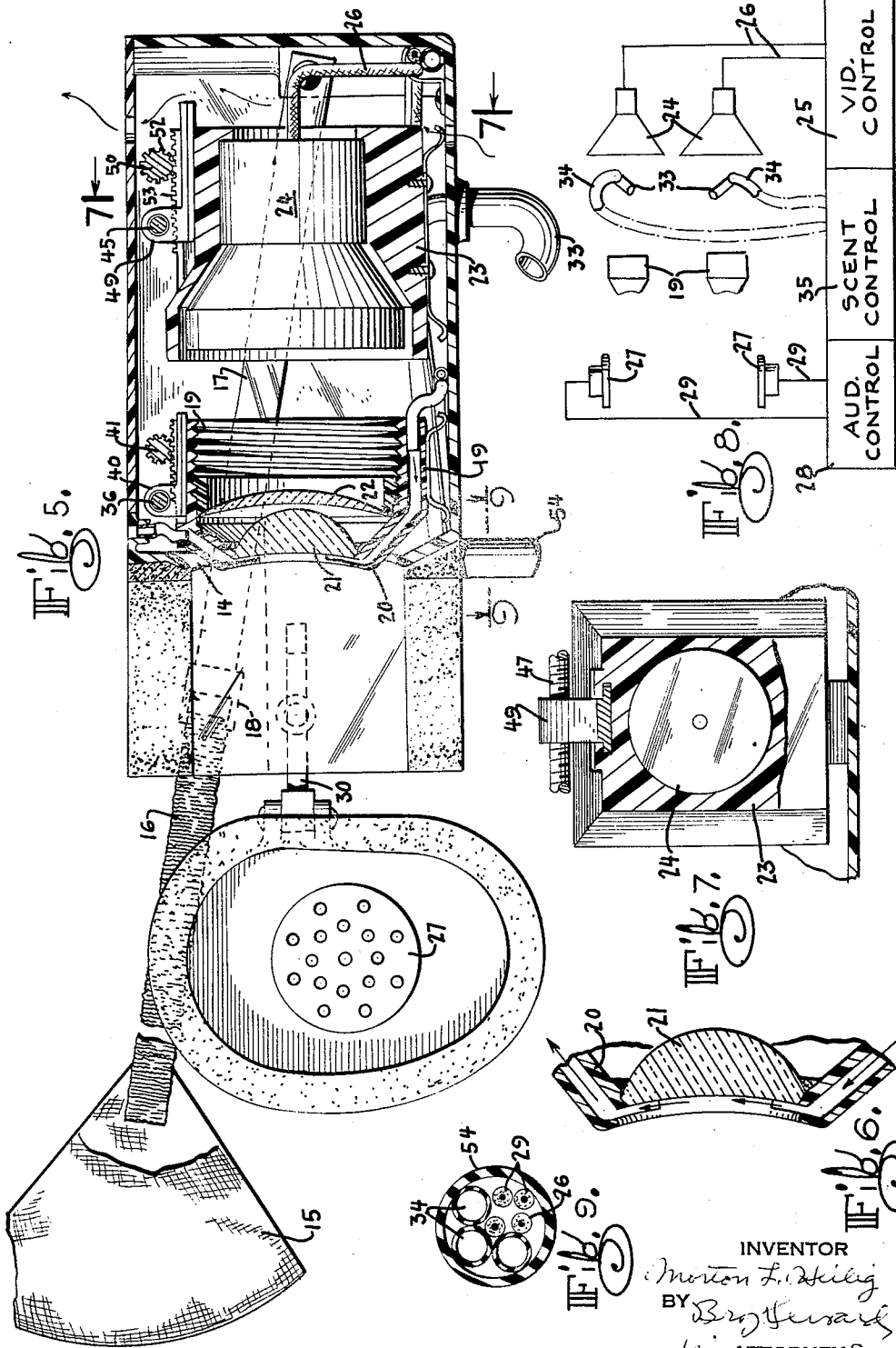


FIG. 5.

FIG. 8.

FIG. 7.

FIG. 6.

FIG. 9.

FIG. 6.

INVENTOR  
*Morton L. Heilig*  
 BY *Bryant*  
 HIS ATTORNEYS

1

2,955,156

STEREOSCOPIC-TELEVISION APPARATUS FOR  
INDIVIDUAL USEMorton L. Heilig, New York, N.Y.  
(128 W. Walnut St., Long Beach, N.Y.)

Filed May 24, 1957, Ser. No. 661,325

2 Claims. (Cl. 178-6.5)

My invention is directed to improvements in stereo-  
scopic-television apparatus for individual use.

My invention generally speaking comprises the follow-  
ing elements: a hollow casing, a pair of optical units, a  
pair of television tube units, a pair of ear phones and a  
pair of air discharge nozzles, all coacting to cause the  
user to comfortably see the images, hear the sound ef-  
fects and to be sensitive to the air discharge of said  
nozzles.

One object of my invention is to provide easily ad-  
justable and comfortable means for causing the appar-  
atus containing the optical units, to be held in proper  
position on the head of the user so that the apparatus  
does not sag, and so that its weight is evenly distributed  
over the bone structure of the front and back of the head,  
without the necessity of holding the apparatus up by  
hand.

Another object is to provide means whereby the op-  
tical and television tube units may be individually ad-  
justed to bring said units into their proper positions with  
respect to the eyes of the user and with respect to each  
other.

Another object is to provide ear phones which are so  
designed that the outer ear is completely free and un-  
touched, thus allowing the ear phones to operate fully as  
sound focusing organs.

Another object is to provide means for independently  
adjusting the pair of ear phones to bring them into proper  
position with respect to the ears of the user.

Another object is to provide means for conveying to  
the head of the spectator, air currents of varying veloci-  
ties, temperatures and odors.

Another object is to provide the optical units with a  
special lens arrangement which will bend the peripheral  
rays coming from the television tube so that they enter  
the eyes of the user from the sides thereof, creating the  
sensation of peripheral vision filling an arc of more than  
140° horizontally and vertically.

A practical embodiment of my invention is represented  
in the accompanying drawings in which:

Fig. 1 represents a diagrammatic view showing the rela-  
tive positions of the optical units, the television tubes and  
the eyes of the user.

Fig. 2 represents a detailed perspective view of the  
apparatus with the ear phones omitted.

Fig. 3 represents on an enlarged scale a top plan view  
of the apparatus with the top of the hollow casing re-  
moved.

Fig. 4 represents a longitudinal section taken in the  
plane of the line 4, 4 of Fig. 3 looking in the direc-  
tion of the arrows.

Fig. 5 represents on an enlarged scale a longitudinal  
section taken in the plane of the line 5, 5 of Fig. 3 look-  
ing in the direction of the arrows.

Fig. 6 represents a detail section on an enlarged scale  
through one of the lenses of an optical unit.

Fig. 7 represents a cross-section in the plane of the  
line 7, 7 of Fig. 5 looking in the direction of the arrows.

2

Fig. 8 represents in diagram the controls for the ear  
phones, the air discharge nozzles and the television tubes,  
and

Fig. 9 represents on an enlarged scale a cross-section  
taken in the plane of line 9, 9 of Fig. 5 looking in the di-  
rection of the arrows.

The hollow casing 10 of the stereoscopic-television ap-  
paratus is shown as having its front end 11 closed and its  
rear end 12 recessed at 13 to leave room for the nose of  
the user and also is shaped to conform to the face of the  
user around the eye sockets.

This rear end 12 of the casing 10 also has a pair of  
spaced eye openings 14 therethrough.

The adjustable means for properly holding the casing  
10 in its proper position on the head of the user, com-  
prises the following elements: A wide band 15, prefer-  
ably of cloth material, is shaped to fit the back of the  
head of the user, which band is shown as having two  
elastic side straps 16 leading forwardly to the casing 10.  
Two more preferably rigid side straps 17 lead rearwardly  
from the front end of the casing 10 into position to be  
adjustably fastened by suitable devices as buckles 18 to  
the first named side straps 16.

Each of the pair of optical units is adjustably mounted  
within the casing 10 and it is shown as comprising a  
suitable tubular housing 19 having an open outer end and  
a tapered rear end 20. Inner and outer coacting periph-  
eral vision lenses 21 and 22 are located within the hous-  
ing 19 opposite one of the eye openings 14 through the  
inner end 12 of the casing 10.

As seen in Figures 1 and 5 of the drawings, the periph-  
eral rim of each lens 21 and 22 is turned toward the user  
or wearer of the device. Moreover, as better seen in Fig-  
ure 2, each of the lenses has a portion thereof which ex-  
tends toward the other lens so that the lens substantially  
fits the eye socket of a wearer.

Each of the pair of television tube units is adjustably  
mounted within the casing 10 and it is shown as com-  
prising a tubular housing 23 containing a television tube  
24, preferably a colored tube, opposite its optical unit.  
This tube 24 is connected through a suitable control 25  
by suitable wiring 26.

Each one of the pair of sound receiving elements as  
ear phones 27 is connected through a suitable control 28  
to a suitable source of sound by wiring 29. Each of  
these ear phones is adjustably supported by the casing  
10, in this instance by a rod 30 hinged to the ear phones  
27, for lateral adjustment, which rod is slidable in a  
socket 31 which carries a set screw 32 for holding the rod  
in proper position to bring its ear phone 27 to a point  
adjacent to the user's ear.

Each one of a pair of air discharge nozzles 33 is con-  
nected by a tube 34 leading to a suitable air supply source  
through a control 35 which source may be perfumed air.

The separate devices which I have shown for adjusting  
each of the optical units laterally and longitudinally  
comprise the following elements: For the lateral adjust-  
ment of the optical unit, a cross rod 36 provided with  
a handle 37 is rotatably mounted in the sides of the  
casing 10 for turning the rod in either direction. This  
rod has right and left-hand threaded portions 38, 39  
connected with a stud 40 on the optical unit.

For the longitudinal adjustment of the optical units  
a cross rod 41 provided with a suitable handle 42 is  
rotatably mounted in the sides of the casing 10 and it  
is provided with a gear and rack connection 43, 44 with  
each of the optical units.

The separate devices which I have shown for adjust-  
ing each of the television units laterally and longitudinally,  
comprise the following elements: For the lateral adjust-  
ment of each of the television tubes a cross rod 45 is  
provided with a handle 46 rotatably mounted in the sides

of the casing 10, which rod is provided with right and left-hand threaded portions 47, 48 engaging a stud 49 at the television tube unit.

For the longitudinal adjustment of these television tubes units a cross rod 50 provided with a handle 51 is rotatably mounted in the sides of the casing 10 and it is provided with a gear and rack connection 52, 53 with each television tube unit.

A single cable 54 may be provided for housing the wires 26, the sound wires 29, and the air tubes 34.

It will be observed that by placing one small television tube and peripheral vision lens system before each eye of the user, one ear phone by each ear, and one air duct before each nostril, the spectator is given a complete sensation of reality, i.e., moving three dimensional images, which may be in color, with 100% peripheral vision, binaural sound, scents and air breezes.

By the independent feeding of right and left eyes with images taken by separate film or TV cameras equipped with wide angle lenses, a truly three dimensional peripheral image is created.

By providing independent ear phones, which are fed separately from sounds recorded by independent microphone systems, excellent stereophonic or binaural sound is given.

By providing separate air nozzles, supplied at various temperatures and velocities, the spectator may be given many different sensations, as varying breezes of air of different temperatures which may be scented or not.

By providing the hooded rear end of the casing snugly fitting around the eye sockets, any external light is prevented from entering the visual optical system from the sides of the casing.

It will be understood that various changes may be resorted to in the form, construction and arrangement of the several elements of my apparatus, without departing from the spirit and scope of this invention and hence it is not intended to be limited to the particular embodiments shown and described herein.

What I claim is:

1. A stereoscopic television apparatus for individual

use comprising an enclosed, hollow casing, one portion of said casing being concave to fit about the face of a wearer, said one portion having two eye openings, means to mount said casing on the head of a wearer with said eye openings in position to be looked through by the wearer, two television units mounted within said casing so that one television unit is visible through each of said eye openings, and an optical unit mounted in each of said eye openings whereby peripheral light from said television units enters the eyes of the wearer to create a sensation of peripheral vision of approximately 140 degrees.

2. A stereoscopic television apparatus for individual use comprising an enclosed, hollow casing, one portion of said casing being concave to fit about the face of a wearer, said one portion having two eye openings, means to mount said casing on the head of a wearer with said eye openings in position to be looked through by the wearer, two television units mounted within said casing so that one television unit is visible through each of said eye openings, the mounting for each of said television units being movable, a knob on the exterior of said casing for each of said two television units, means connected between a knob and a television unit so that the position of the television unit may be varied selectively, and an optical unit mounted in each of said eye openings whereby peripheral light from said television units enters the eyes of the wearer to create a sensation of peripheral vision of approximately 140 degrees.

#### References Cited in the file of this patent

##### UNITED STATES PATENTS

770,470	Mills	Sept. 20, 1904
1,637,092	Thompson	July 26, 1927
2,156,911	Brown	May 2, 1939
2,388,170	McCollum	Oct. 30, 1945
2,484,591	Rochwite	Oct. 11, 1949
2,540,144	Stern	Feb. 6, 1951
2,667,810	Jaros	Feb. 2, 1954
2,810,385	Reed	Oct. 22, 1957